



ATX
ATEX & IECEx RFID SERIES

ATEX & IECEx MULTI-TECHNOLOGY READER

IDENTIFICATION IN EXPLOSIVE ATMOSPHERES



BENEFITS

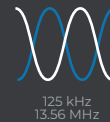
- Compliant with ATEX & IECEx safety standards
- Easy migration to secure technologies
- Interoperable with existing systems



Supported by
SIA



Supported by
SPAC



125 kHz
13.56 MHz



Water resistant
IP66



Vandal-proof
IK10

The ATX hybrid reader facilitates your migration to secure and durable technologies in explosive environments.

ATEX and IECEx certified, it is designed to be intrinsically safe and withstand potentially explosive conditions, such as the presence of gases, flammable vapors, or combustible dust.

MULTI-TECHNOLOGY READER

The ATX hybrid reader simplifies management of upgrades, technological migrations and complex multi-site configurations.

125 kHz Prox technologies

The reader is compatible with many legacy Prox technologies*: EM®, HID Proximity®, AWID®, INDALA®, IOPROX®...

MIFARE® DESFire® EV2 & EV3

It supports the latest MIFARE® DESFire® EV2 & EV3 contactless technologies with new data security features:

- **Secure Messaging EV2:** protection against attacks via interleaving and replay.
- **Proximity Check:** protection against relay attacks.

The reader supports the use of public security algorithms recognized by specialized and independent organizations in information security (ANSSI French cybersecurity agency and FIPS).

OPEN TECHNOLOGIES FOR EASY INTEGRATION

The reader is compatible with many access control systems and accepts multiple interfaces and protocols* (Wiegand, Clock & Data, RS232, SSCP® v1 & v2 and OSDP™ v1 & v2).

A CUSTOMIZED SCALABLE CONFIGURATION

It can be customized to meet your needs. All the features and security levels of the readers in your organization can be upgraded - by RFID card or protocol.

STANDING THE TEST OF TIME

The Ex II 2 GD IP66 explosion-proof enclosure of the ATX hybrid reader makes it extremely robust in harsh environments (IP66 certified) as well as highly resistant to vandalism (IK10 certified).

ATEX & IECEx CERTIFIED READER

The ATX reader is ATEX (EN60079) & IECEx certified and complies with both European Directives (99/92/CE and 94/9/CE).

It is used to control people's access to high-security areas in:

- the chemical and petrochemical industries,
- oil and gas refineries,
- nuclear power plants,
- mines.



Marking T5

EC-type examination certificate:
INERIS 13 ATEX 0021X
Approved type: GUB Ex II 2 GD
(G: Gas / D: Dust)
II 2G Ex d IIC T5 Gb
II 2D Ex tb IIIC T100°C Db IP66

**Depending on the version*

DESIGNED & MADE IN FRANCE



SPECIFICATIONS

Version	ATX Hybrid (I)	ATX Hybrid Multi-Prox (IM)
Operating frequency / Standards	125 kHz 13.56 MHz: ISO14443 types A & B, ISO18092	
125 kHz chip compatibility	EM42xx / EM4x50 Wiegand 26, 34, 35 & 37 bits formats Nedap® / Crosspoint®	EM42xx / EM4x50, HID Proximity®, INDALA® (Wiegand 26 & 27 bits), IOPROX®, AWID®
13.56 MHz chip compatibility	MIFARE® Ultralight® & Ultralight® C, MIFARE® Classic & Classic EV1, MIFARE Plus® (S/X) & Plus® EV1, MIFARE® DESFire® 256, EV1, EV2 & EV3, PicoPass® (CSN only), iCLASS™ (CSN only*)	
Functions	CSN and secure read-only / Controlled by protocol (read/write)	
Communication interfaces & protocols	TTL Wiegand or Clock&Data (ISO2) output (encrypted communication option - SX1) / RS485 output (encrypted communication option - SX3) with secure SSCP® v1 and v2 communication protocols, OSDP™ v1 (plain communication) and v2 (SCP secure communication) / Compatible with EasySecure interface	Wiegand Output RS485 output with OSDP™ v1 (plain communication) and v2 (SCP secure communication) protocols
Reading distances**	Up to 5 cm / 1.9" with a 125 kHz card Up to 4 cm / 1.6" with a MIFARE® DESFire® EV2 card	
Light indicator	LED RGB - 360 colors ▲ ▲ ▲ Configuration by RFID card, software or external command (0V) according to the interface	
Power requirement	Max 160 mA / 12 VDC	Max 170 mA / 12 VDC
Power supply	7 VDC to 28 VDC	
Connections	10-pin plug-in connector (5 mm / 0.2") / 2-pin plug-in connector (5 mm / 0.2"); O/C contact Tamper detection signal 2 PE PAP-R0 M20 cable glands for external shielded cables. 10-19 mm	
Materials	Aluminum alloy and stainless steel, gray epoxy RAL 9006	
Dimensions (h x w x d) / Weight	310 x 270 x 174 mm / 12.2" x 10.6" x 6.8" (general tolerance to ISO NFT 58-000 standard) - 13.5 kg / 458.5 oz	
Operating temperatures	- 20°C to + 70°C / - 4°F to 158°F	
Resistance	Ex II 2 GD IP66 explosion-proof enclosure - Supports T5 & T6 environments Resistant to explosions, adverse weather conditions, water and dust IK10 / IEC 60068-2-6 / MIL-STD-810 vandal-resistant reinforced structure	
Mounting	4 mounting brackets on the enclosure Compatible with universal VESA 200 x 200 mounting kits (requires a mounting accessory)	
Certifications	 CE (Europe), FCC (USA), IC (Canada), UKCA (United Kingdom) and UL ATEX (EN60079) and IECEx	

Part numbers

Secure read only

TTL (Wiegand - Data/Clock)ATX-RX1-I/BF5-xx/3ATX-RX1-IM/BF5-3x/3
Secure Plus - TTL (Wiegand - Data/Clock)ATX-SX1-I/BF5-xx/3	
RS232ATX-RX2-I/BF5-5AB/3	
RS485ATX-RX3-I/BF5-7AB/3	
EasySecure Interface- RS485ATX-RX3-I/BF5-7AA/3	
Secure Plus - RS485ATX-SX3-I/BF5-7AB/3	
Secure Plus / EasySecure Interface - RS485ATX-SX3-I/BF5-7AA/3	

Controlled by protocol

OSDP™ v1 & v2 - RS485ATX-WX3-I/BF5-7OS/3ATX-WX3-IM/BF5-7OS/3
SSCP® v1 - RS232ATX-WX2-I/BF5-5AA/3	
SSCP® v1 - RS485ATX-WX3-I/BF5-7AA/3	
SSCP® v2 - RS485ATX-WX3-I/BF5-7AD/3	

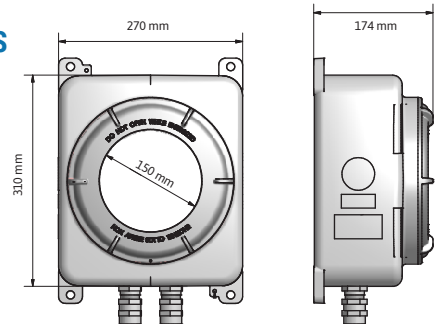
DISCOVER OUR CREDENTIALS AND OUR ERGONOMIC MANAGEMENT TOOLS



ISO cards & key holders
(125 kHz, 13.56 MHz...)



SECARD
SECARD configuration kit and
OSDP™ v1 & v2 protocols



*Our readers only read the / UID PICO1444-3B serial number of the iCLASS™ chip. They do not read the cryptographic protections iCLASS™ nor the / UID PICO 15693 serial number of HID Global.

**Warning: Communication distances are measured at the center of the antenna. Measured at the center of the antenna, they depend on the antenna configuration, the installation environment of the player, the power supply voltage, and the playback mode (secure or not). External disturbances can cause the reading range to decrease.

Legal Notice: STid, Architect® and SSCP® are registered trademarks of STid SAS. All trademarks mentioned in this document belong to their respective owners. All rights reserved - This document is the sole property of STid. STid reserves the right, at any time and without notice, to make changes to this document and/or to stop marketing its products and services. The photographs are non-contractual.

Headquarters / EMEA

13850 Gréasque, France
Tel.: +33 (0)4 42 12 60 60

PARIS-IDF

92290 Châtenay-Malabry, France
Tel.: +33 (0)1 43 50 11 43

STid UK Ltd.

Gallows Hill, Warwick CV34 6UW, UK
Tel.: +44 (0) 192 621 7884

NORTH AMERICA

Irving, Texas 75063-2670, USA
Tel.: +1 877 894 9135

LATINO AMERICA

Cuahtémoc, 06600 CDMX, México
Tel.: +52 (55) 5256 4706

MIDDLE EAST

Dubai Digital Park, DSO, UAE
Tel.: +971 521 863 656