



Smart home and building solutions.
Global. Secure. Connected.

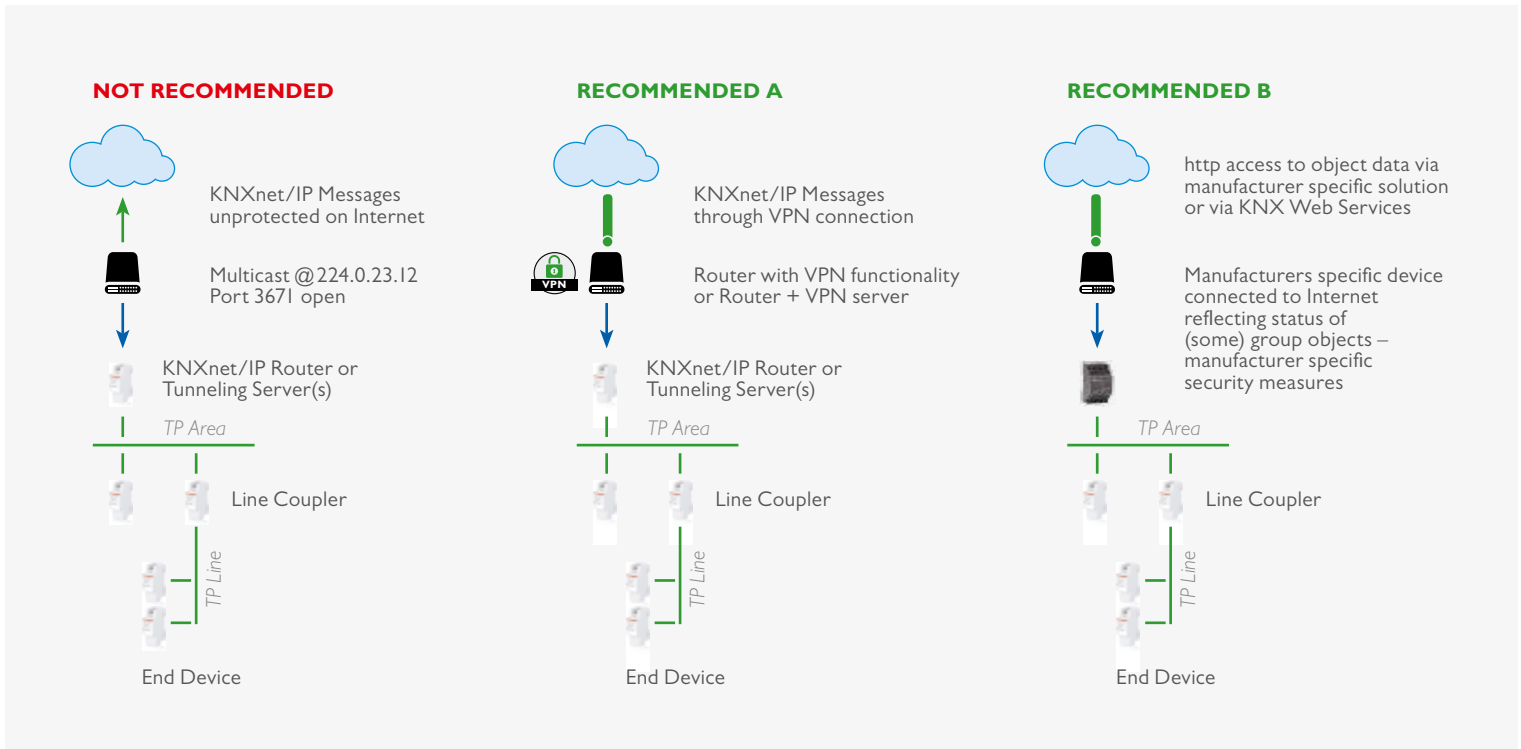
KNX SECURE

KNX POSITION PAPER ON
DATA SECURITY AND PRIVACY



This paper is intended as a guide for both installers as well as KNX manufacturers to learn about the current measures that can be undertaken to increase security of KNX installations.

PREVENTING ACCESS TO THE NETWORK TO THE VARIOUS KNX PHYSICAL MEDIA



Access to KNX networks via Internet

A proper security concept is based on ensuring proper prevention against unauthorised access. In case of a KNX installation this implies that only authorised persons (the installer, caretaker, user) shall have physical access to the KNX installation. When designing and installing, for each KNX medium the critical elements shall be protected in the best way possible.

connection with binary inputs mounted in protected areas (e. g. in distribution boards) or push button interfaces, in this way preventing access to the bus.

- When available, anti-theft measures provided by certain Application Modules should be used (e. g. securing devices by screws, only removable with tools, high pull-off resistance, ...).

Installation of cable and devices

- Generally, applications and devices shall be properly fixed to avoid that they can be easily removed, in this way allowing unauthorised persons access to a KNX installation.
- Enclosures and distribution boards containing KNX devices shall be properly closed or be mounted in rooms, to which only authorised persons have access.
- In outside areas devices shall be mounted in sufficient heights (e. g. weather station, wind sensor, movement detector, ...).
- In all public areas that are not sufficiently surveilled, it shall be contemplated to make use of conventional devices in

Twisted Pair

- Cable ends should not be visible, hanging outside the wall on the out- or inside of the building.
- Bus cable in outside areas poses a higher risk. Physical access to KNX Twisted Pair cable shall in this case be made even more difficult than in the home/building itself.
- For extra protection, devices installed in areas with limited surveillance (outside, underground parking lot, toilet, etc.) can be connected to an extra line. By activation of the filter table in line couplers according clause 2, it can be prevented that hacker is able to access the entire installation.

Powerline

- Electronic filters should be used to filter incoming – and outgoing signals

Frequency

- As Radio Frequency is an open medium, physical protection measures cannot be taken to prevent access. For this, other measures need to be taken that are outlined in clauses 2 to 5 (and especially those listed in clause 4).

IP

- Building Automation should run over a dedicated LAN and WLAN with own hardware (routers, switches, etc.).
- Regardless of the type of KNX installation, one shall at any rate observe the usual protection mechanisms for IP networks. These may include:
 - MAC filters
 - Encryption of wireless networks in conjunction with strong passwords (change of the default password – WPA2 or higher) and protection of them against unauthorised persons.
 - Change of the default SSID (SSID is the name, under which a wireless access point is visible in the network, mostly manufacturer and product type). Default SSIDs can point to product specific weaknesses of the used access points and are in this way particularly vulnerable to hackers). The access point can moreover be set in such a way that beaconing (periodical transmission of amongst others the SSID) is prevented.
- For KNX IP multicast another IP address shall be used as the

default one (224.0.23.12). A suitable address can be agreed upon with the network administrator.

- IT network specialists shall be involved in larger size projects with connection to KNXnet/IP: in this way the network configuration can still be optimised (managed switches, virtual LAN, access points with IEEE 802.X, etc.) and further protection mechanisms like E-Mail filtering and anti-virus can be implemented.

Internet

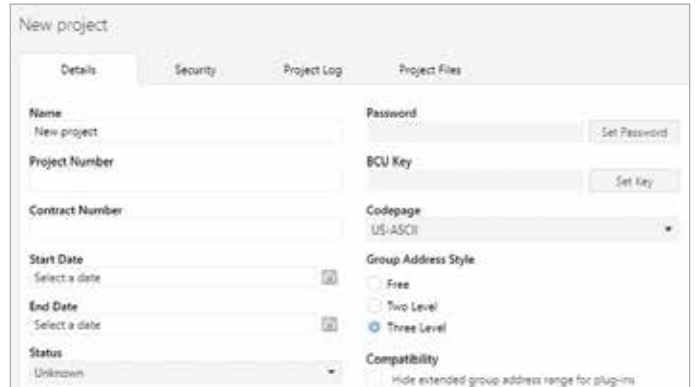
- KNXnet/IP Routing and KNXnet/IP Tunnelling are not designed for use over the Internet. Because of that, it is not advisable to open ports of routers towards the internet, in this way making KNX communication visible over the Internet.
 - The (W)LAN installation shall be protected by means of a firewall.
 - In case no external access to the installation is necessary, the default gateway can be set to 0, in this way blocking any communication to the internet.
- When one wishes to realise access to an installation via internet, this can be realised in the following way:
 - Ensuring access to the KNX installation through VPN connections: this however requires a router that supports VPN server functionality or a server with VPN functionality.
 - Any of the dedicated manufacturer specific solutions available in the market and visualisations (e. g. allowing http access).
 - KNX has specified in an extension to the KNX Standard a KNX standardized solution for accessing to KNX installations over the internet via web services.

LIMITING UNWANTED COMMUNICATION INSIDE THE NETWORK

- The Individual Addresses of devices shall be properly assigned according to the topology and the Routers shall be configured not to pass message with inappropriate Source Address. In this way, unwanted communication can be limited to a single line.
- Point-to-point and possibly broadcast communication across Routers should be blocked. In this way, reconfiguration can again be limited to a single line.
- The Couplers shall be configured to use the Filter Tables actively and not pass Group Addresses that are not used inside a specific line. If not, communication inserted into a specific line risks spreading uncontrolled over the entire KNX installation.

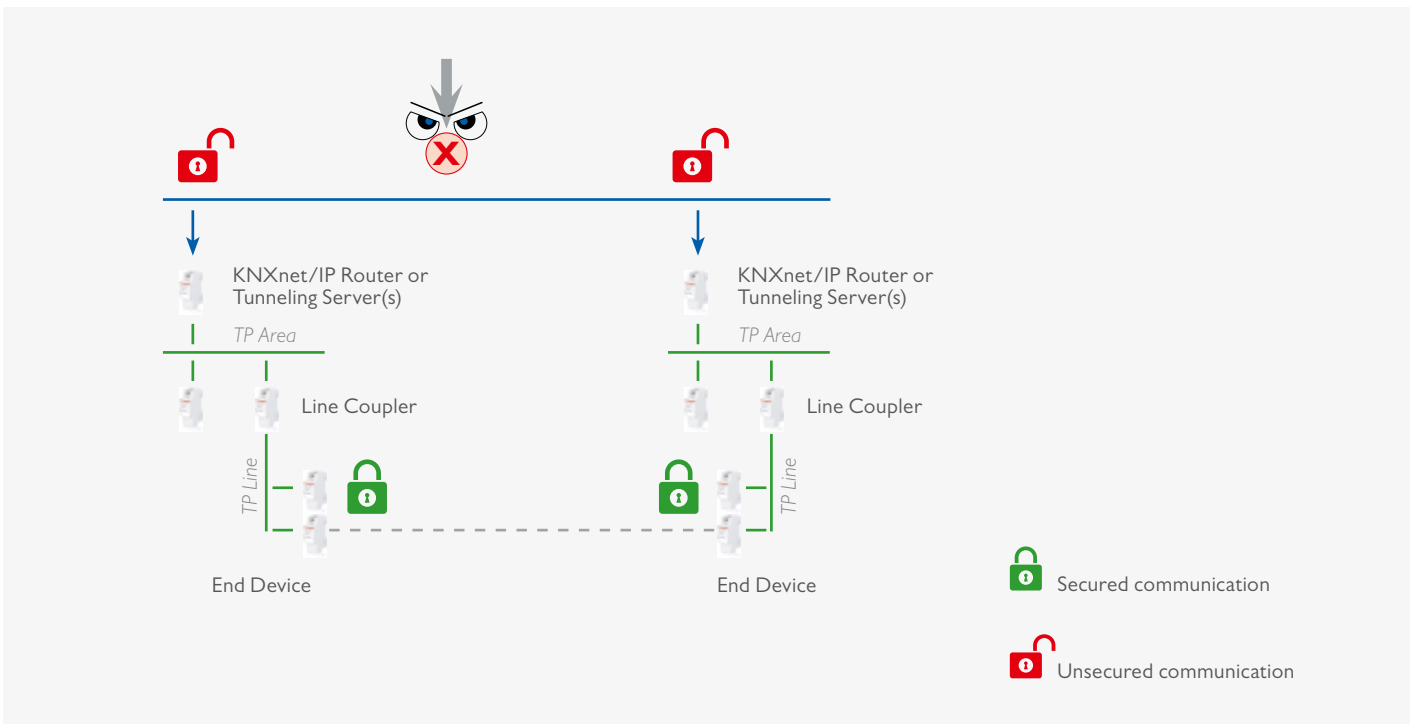
PROTECTING CONFIGURATION COMMUNICATION

ETS allows defining a project specific password by means of which one can lock devices for unauthorised access. This prevents that the installation configuration can be read out or modified by unauthorised persons.



Protecting configuration communication in ETS

PROTECTING RUNTIME COMMUNICATION



Protecting KNX run time communication on an IP network with KNXnet IP Security

- Next to the before mentioned measures, KNX run-time communication can be protected via the specified
 - KNX Data Secure and
 - KNX IP Secure mechanisms
- KNX Data Secure ensures that regardless of the KNX medium selected messages sent by KNX devices can be authenticated and/or encrypted. In order to ensure that even in the case where such communication would not be secured and such networks would be connected to IP, the KNX IP Secure

- mechanisms were defined on top of this. In this way, it is ensured that KNX IP tunnelling or routing messages cannot be recorded or manipulated on IP. The KNX IP Secure mechanisms ensure that a security wrapper is added around the complete KNXnet/IP data traffic.
- The KNX Data Secure and KNX IP Secure Mechanisms ensure that devices can establish a Secured Communication Channel thereby ensuring:
 - Data Integrity, i. e. preventing an attacker from gaining

control by injecting manipulated frames. In KNX this is ensured by appending an authentication code to every message:

this appended code allows verification that the message has not be modified and that it effectively originates from the trusted communication partner.

- Freshness, i. e. preventing an attacker from recording frames and playing them back at a later time without manipulating the content. In KNX Data Secure this is ensured by a sequence number and in KNX IP Secure by a sequence identifier.
- Confidentiality, i. e. encrypting network traffic to ensure that an attacker has the lowest possible insight into the data actually transmitted. When allowing encrypting KNX network traffic, the KNX devices ensure at least encryption according to the AES-128 CCM algorithms together with a symmetrical key.

A symmetrical key means that the same key is used by the sender to protect an outgoing message (authentication + confidentiality!) as well as by the receiver(s) to verify when receiving this message.

KNX Data Secure devices use a longer KNX telegram format when transmitting the authenticated and encrypted data. This does not have any effect on the reaction speed of devices. For KNX Data Secure, the devices are protected in the following way:

- A device is shipped with a unique Factory Device Set up Key (FDSK).
- The installer enters this FDSK into the configuration tool ETS (this action is at any rate not done via the bus).
- The configuration tool creates a device specific tool key.
- Via the bus, the ETS sends to the device to be configured

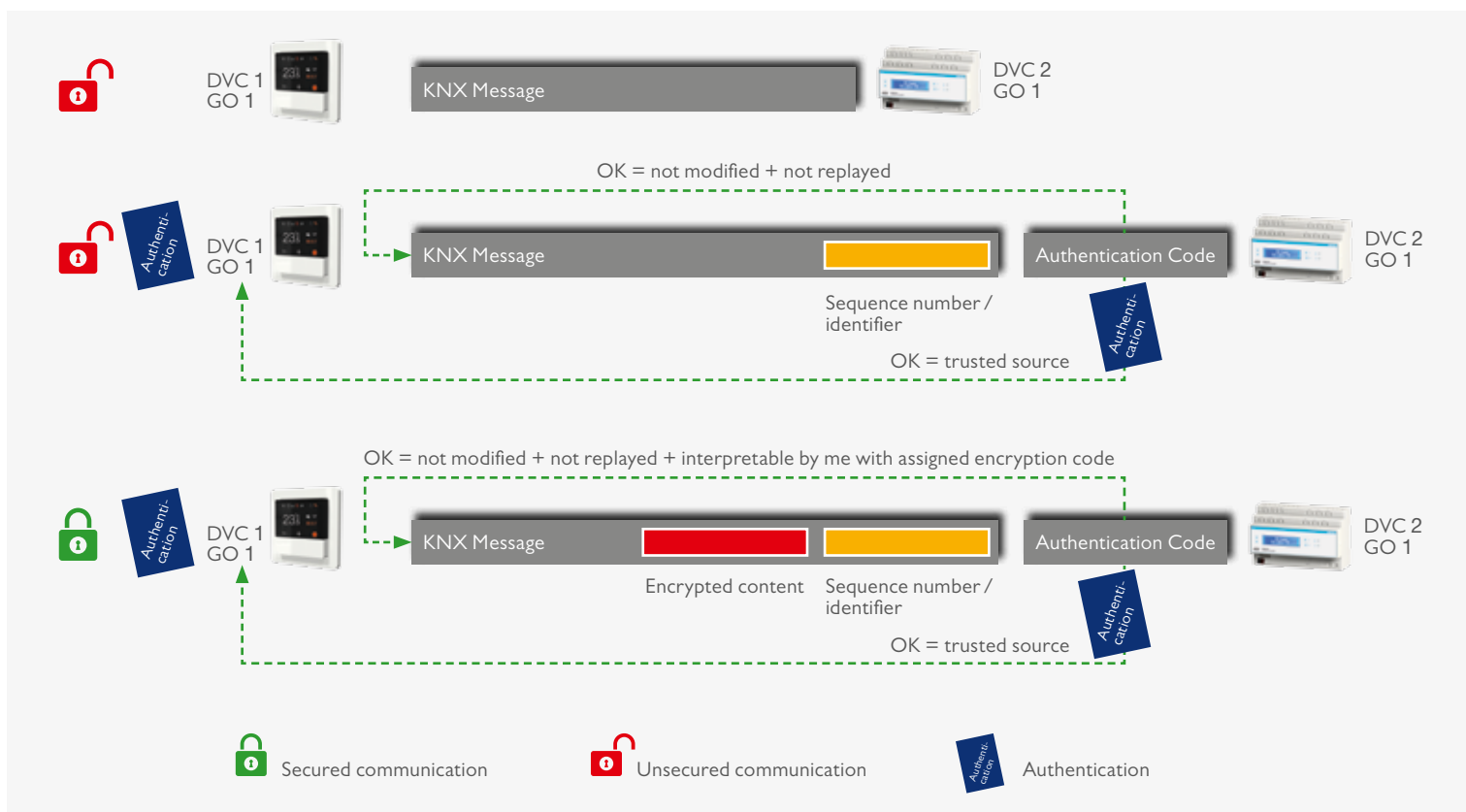
its tool key, however by encrypting and authenticating this message with the previously entered FDSK. Neither the tool nor the FDSK key are at any time transmitted in plain text on the bus.

- The device from then onwards only accepts the tool key for further configuration with the ETS. The FDSK is no longer used during subsequent communication, unless the device is reset to factory state, after which all the secure data in the device will be erased.
- The ETS creates runtime keys (as many as necessary) for the group communication that needs to be secured.
- Via the bus, ETS sends to the device to be configured these runtime keys, however by encrypting and authenticating these messages with the tool key. The runtime keys are never transmitted in plain text on the bus.

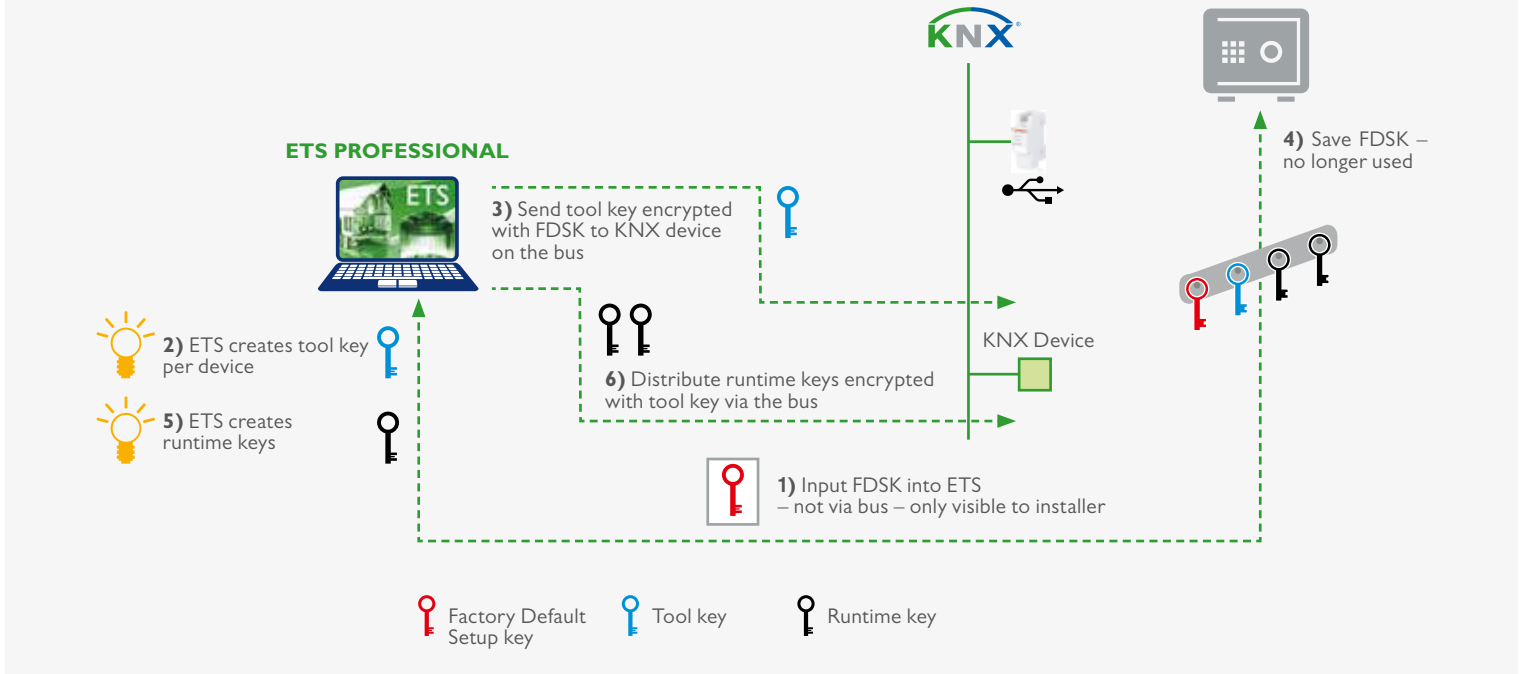
For KNX IP Secure, a secure connection (Tunnelling or Device Management) is established in the following way:

- Both the client as well as the server creates an individual public/private key pair. This is referred to as an asymmetrical encryption.
- The client sends its public key to the server as plain text.
- The server responds with its public key in plain text, appended with the result of the following calculation: it calculates the XOR value of its server public key with the client's public key, encrypts this with the device code to authenticify itself to the client and encrypts this a second time with the calculated session key.

The device authentication code is either assigned by the ETS during configuration or the tool key. This device authentication code needs to be provided to the operator of the



Overview of the KNX Data Secure Mechanisms



Procedure for securing KNX devices

visualisation wishing to establish a secure connection with the relevant server.

- The client performs the same XOR operation, but authorises itself by encrypting this firstly with one of the passwords of the server and again a second time with the session key. It shall be noted that the encryption algorithm used (Diffie Hellmann) ensures that the session key of the client and the server are identical. The passwords of the server need to be provided to the operator of the visualisation wishing to establish a secure connection with the relevant server.

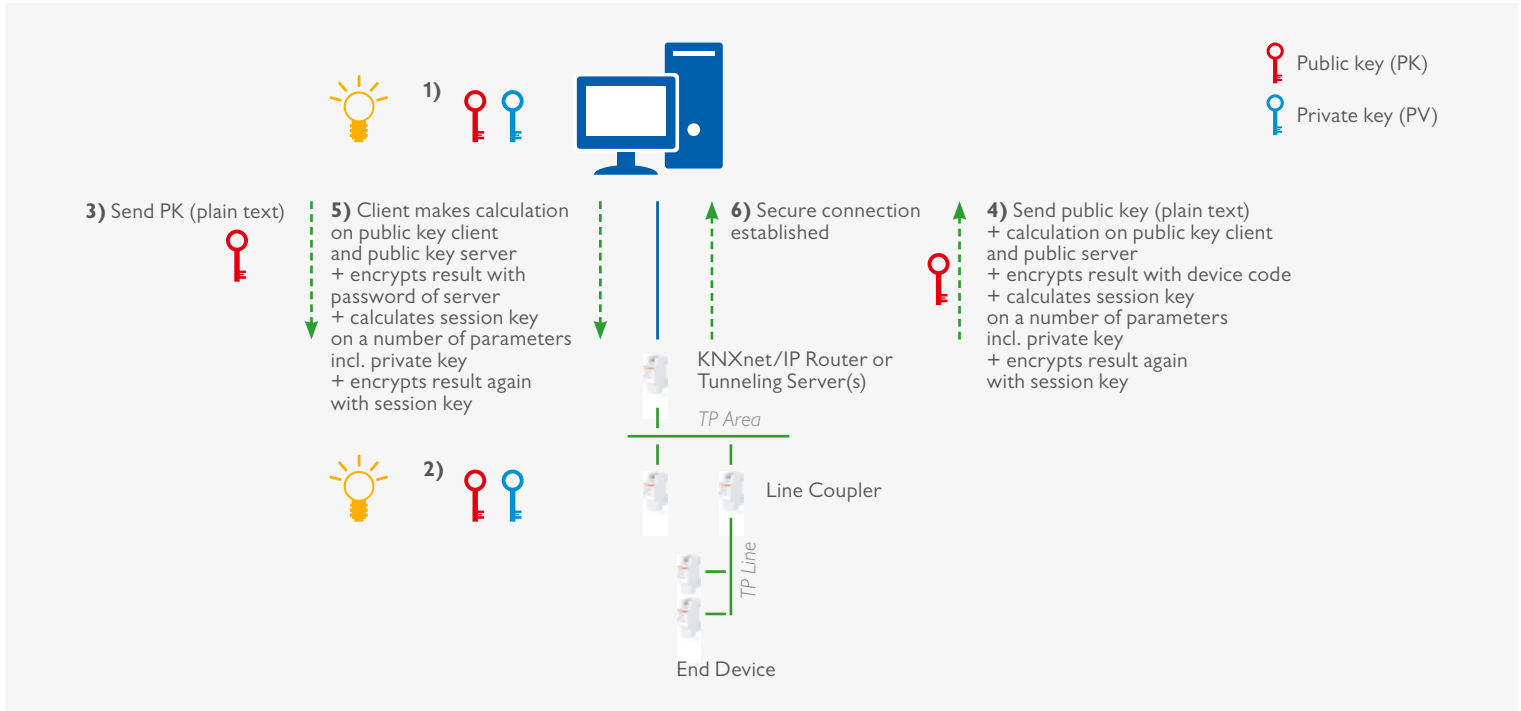
As regards the above described measures to protect runtime communication, it shall be noted that:

- KNX Data Secure devices can be used without any problem next to “classic” KNX devices. This implies that KNX data and IP Secure can be implemented as additional security measure.

- If an installer chooses to use a KNX IP Secure device in an IP backbone, all IP couplers and any KNX IP devices in this backbone need to be of the type KNX IP Secure.
- If an installer has – at the wish of a customer - used for a function a KNX secure device to secure the runtime communication, each communication partner of this device needs to also support KNX Secure for the linked function. In other words, a communication object of a KNX Secure Device cannot be linked once to a secured group address and once to a plain group address.

Devices, which support KNX Data and IP secure, can be distinguished from “classic” KNX devices, as on the product label a “X” sign is shown.

KNX IP Secure and KNX Data Secure are supported from ETS 5.5 onwards. The ETS allows to configure new KNX Secure devices and also allows to replace defective KNX Secure devices.



Setting up a KNX IP Secure Connection

COUPLING KNX TO SECURITY SYSTEMS

When coupling KNX to such applications like burglar/fire protection/door opening systems, this can be ensured through:

- KNX devices or interfaces with appropriate certification by local loss insurers;
- potential free contacts (binary inputs, push button interfaces, ...);
- appropriate interfaces (RS232, ...) or gateways: in this case it shall be ensured that the KNX communication is unable to trigger security relevant functions in the security part of the installation.

DETECTING UNAUTHORISED BUS ACCESS

- Obviously, the bus could be monitored and unusual traffic could be traced.
- KNX Secure devices keep track of hacks in security failure logs: in this way, it is at any time possible to check whether the KNX installation was subject to security attacks.
- Some device types can detect if another device sends Telegrams with their Individual Address. This is not spontaneously announced in the network, but it can be read in PID_DEVICE_CONTROL.
- Very recent implementation may already exhibit the PID_DOWNLOAD_COUNTER. Comparing the read out value (periodically) with a reference value will signal changes in the device configuration.

COMPLIANCE TO THE EU GDPR REGULATION

- GDPR is an abbreviation for General Data Protection Regulation (see www.eugdpr.org). The regulation aims to harmonize data protection laws in the whole of Europe.
- In order to comply with the GDPR regulation, the installer shall hand over the ETS project file to the customer. The installer and the customer shall sign a data protection declaration.
- Data that are generated by KNX devices may only be used for the purpose of remote control of the device by the customer (via App), for diagnostic purposes and for further product development. They may not be used for personalized publicity.

Literature

- [1] AN 158 KNX Data Security
- [2] AN 159 KNX IP Secure
- [3] Volume 3/8/x KNXnet/IP Specifications



Smart home and building solutions.
Global. Secure. Connected.



Join **us**
www.knx.org